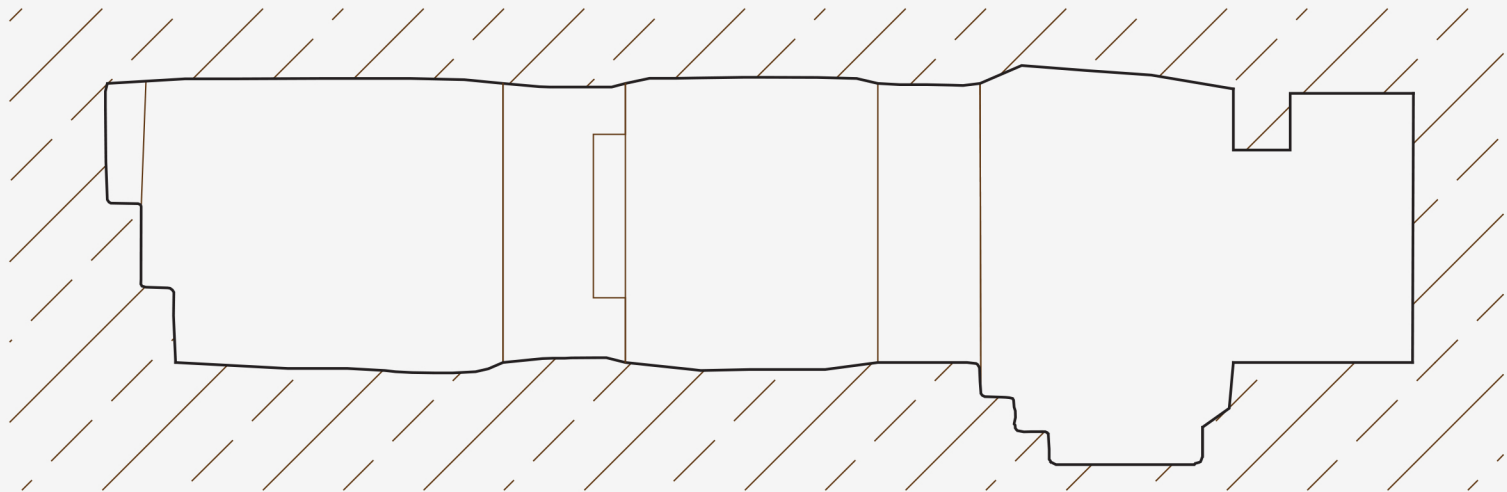
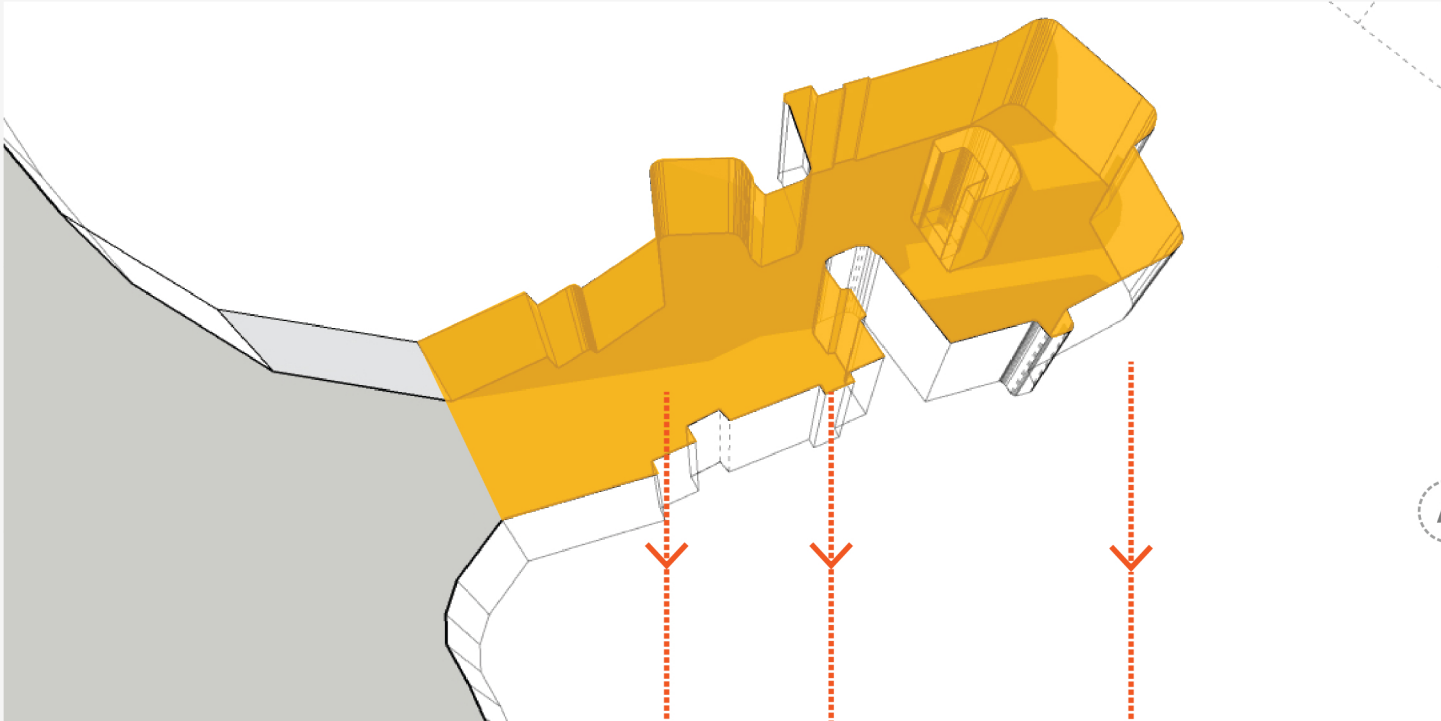


Section A-A



Section B-B



Downward excavation